

COMMERCIAL 326 RADIO RECEIVER INFORMATION

F1 LIGHT ON = IRRIGATION OR STORAGE ELECTRIC VEHICLE OFF

F2 LIGHT ON = GENERATOR RUNNING

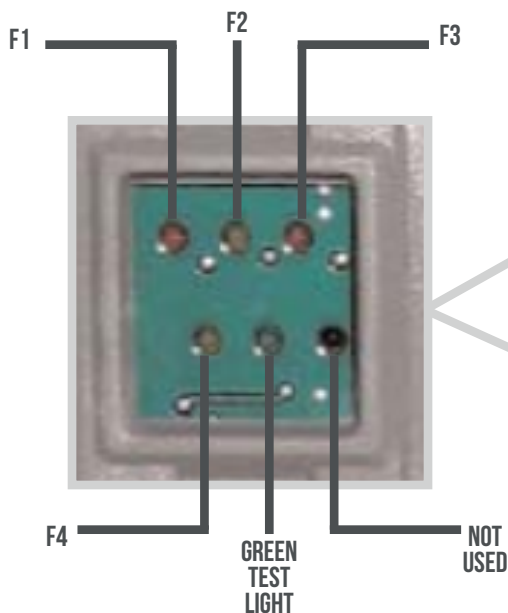
F3 LIGHT NOT USED

F4 LIGHT NOT USED

GREEN LIGHT ON = RADIO RECEIVER WORKING PROPERLY

GREEN LIGHT FLASHING = TOWERS ARE COMMUNICATING WITH RECEIVER

PROGRAM	POSSIBLE CONTROL DAYS	TIME EQUIPMENT IS OFF
Generator Back-Up	Once per month for billing and/or hottest or coldest days for peak demand.	Peak Hours <i>Usually between 2:00 and 8:00 p.m.</i>
Irrigation	Once per month for billing and/or hottest days for peak demand.	Peak Hours <i>Usually between 4:00 and 8:00 p.m.</i>
Storage Electric Vehicle	Every Day	7:00 a.m. - 11:00 p.m.



ST. JOSEPH BRANCH OFFICE

29643 Frontage Road, PO BOX 816, St. Joseph, MN 56374
(800) 962-0655 | Fax: (320) 363-4631

WWW.STEARNELECTRIC.ORG