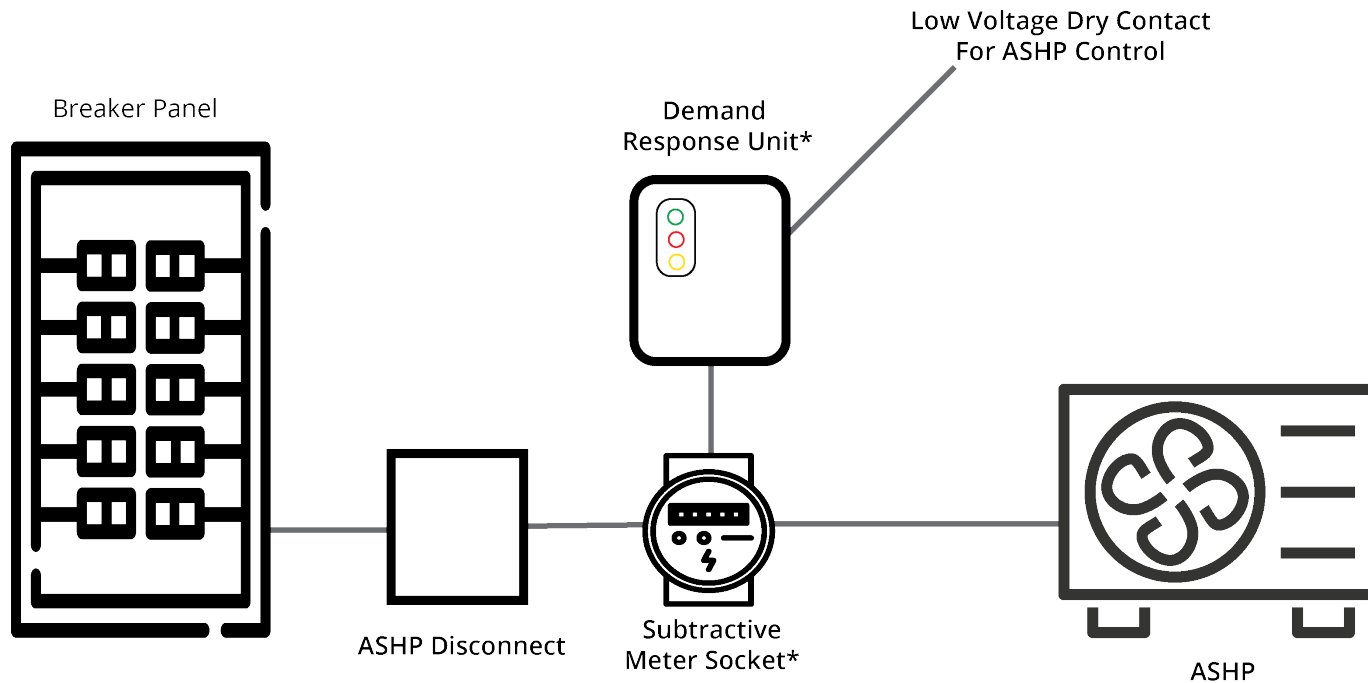




# SINGLE CIRCUIT SUBTRACTIVE METERING SYSTEM AIR SOURCE HEAT PUMP (ASHP)



\* Stearns Electric Association Provided

## INSTRUCTIONS:

- Stearns Electric Association recommends the use of a licensed electrical contractor. Stearns Electric will not be responsible or liable for any personal injury or property damage to the wiring of, or the operation of, this or any EnergyWise® system.
- All wiring must meet National Electrical Code and be inspected by a state electrical inspector before Stearns Electric Association will check out installation.
- Any time power is off and restored to the Demand Response Unit, there will be a 15-minute time delay before unit will be allowed to operate.
- Demand Response Unit/meter socket shall be mounted 4 feet to 6 feet above the ground outside of all structures with ample access around unit.
- Two (2) 30-amp line voltage rated, and two (2) 5-amp low voltage rated set of normally closed dry contacts for controlling member supplied equipment are provided. *5-amp contacts are field adjustable to normally open.*
- 240-volt Demand Response Unit power is supplied by the ASHP circuit.
- One (1) Demand Response Unit per building is permitted. Additional un-metered EnergyWise® programs are permitted to be controlled by the same Demand Response Unit (*i.e., water heater - credit only*).
- Installing contractor is responsible for proper control wiring and testing before scheduling check-out appointment with Stearns Electric. Return trips may be subject to rebate reductions/delays.